

SECTION 3  
GRAIN CLEANING EQUIPMENT  
**GRAVITY SEPARATORS**

---



**PEGASUS PG14A GRAVITY SEPARATOR**



**THE PEGASUS PG14A CAPACITY CHART**

Corn Beans	Wheat Barley	Canola Flax	Alfalfa Clover
125-140 bph	180-210 bph	70-85 bph	1100-1500lbs/hr

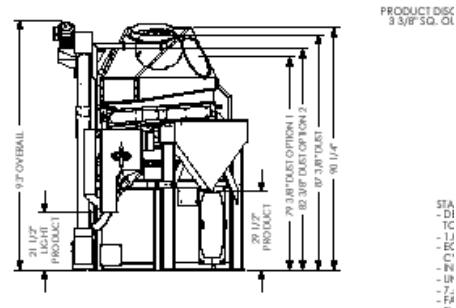
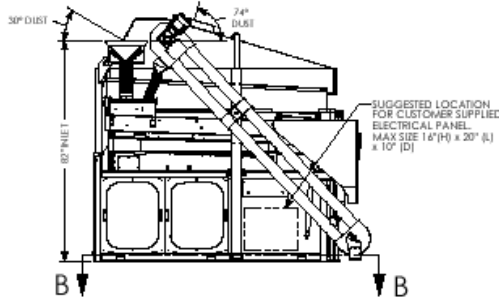
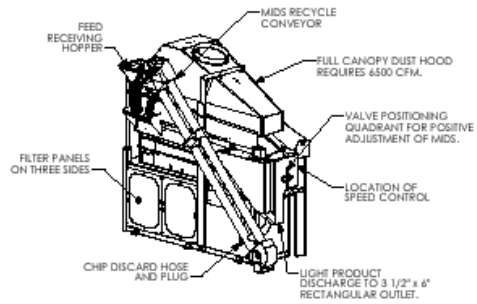
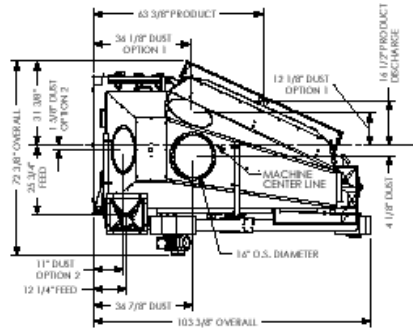
---



## SECTION 3

# GRAIN CLEANING EQUIPMENT Pegasus PG14A Specifications

PG14A SPECIFICATIONS	Deck Area	Maximum CFM	Motor Requirements	Over All Length	Over All Width	Over All Height	Shipping Weight
	14 ft <sup>2</sup>	6,500	5 hp fan 1 hp eccentric	104"	73"	91"	2,420 lbs



## Options

Half or Full Dust Hood

Middling Return Conveyor

Split Middling Hopper

Urethane Coated Overcover