

SECTION 3  
GRAIN CLEANING EQUIPMENT  
**GRAVITY SEPARATORS**

---



**PEGASUS PG27A GRAVITY SEPARATOR**



---

<b>THE PEGASUS PG27A CAPACITY CHART</b>	Corn Beans	Wheat Barley	Canola Flax	Alfalfa Clover
	275-340 bph	380-410 bph	160-200 bph	2500-3200 lbs/hr

---

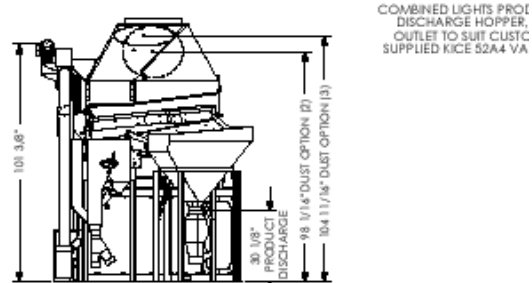
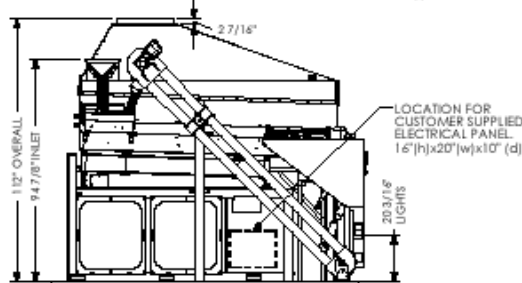
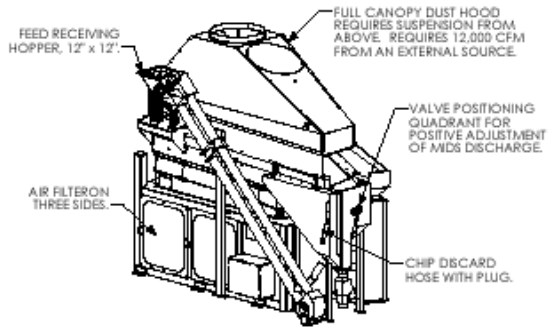
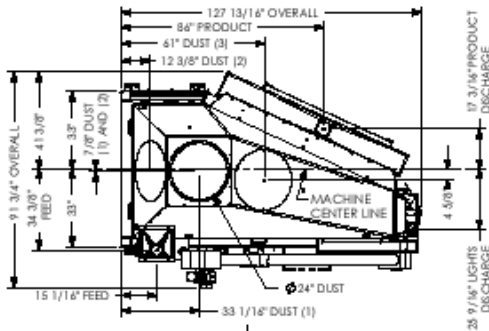


### SECTION 3

## GRAIN CLEANING EQUIPMENT Pegasus PG27A Specifications

#### PG27A SPECIFICATIONS

Deck Area	Maximum CFM	Motor Requirements	Over All Length	Over All Width	Over All Height	Shipping Weight
27 ft <sup>2</sup>	12,000	10 hp fan 1.5 hp eccentric	130"	92"	112"	4,450 lbs



### Options

Half or Full Dust Hood

Middling Return Conveyor

Split Middling Hopper

Urethane Coated Overcover